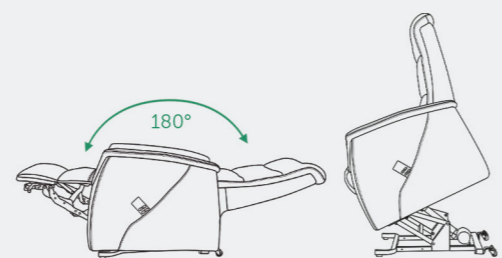


MILO

mod-8865 / L2M

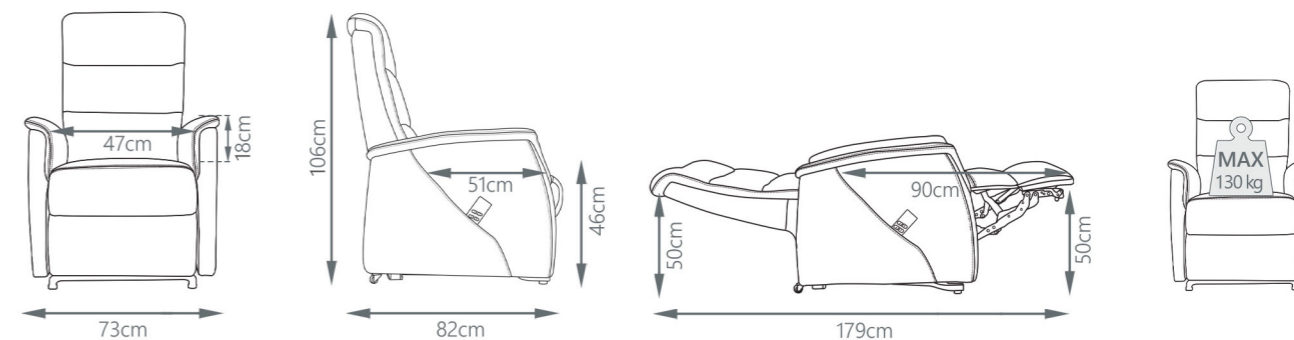


lift chair



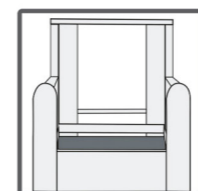
PROGETTO
RELAX

DIMENSIONS



MILO mod-8865

SPECIFICATIONS



EN / FR

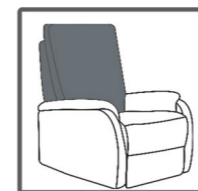
Solid wood and plywood
Bois massif et contre-plaqué

IT / DE

Legno massiccio e compensato
Massivholz und Sperrholz

NL / ES

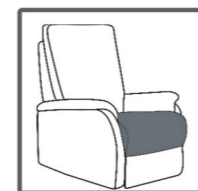
Massief hout en multiplex
Madera maciza y madera contrachapada



Webbing
Sangles élastiques

Cinch
Gurtband

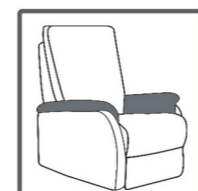
Singelband
Cincha



Sinusoidal springs
Ressorts nosag

Molle Nosag
Zig-zag Federn

Nosag veren
Muelles zig-zag



Polyurethane foam
Mousse de polyuréthane

Schiuma poliuretanic
Polyurethan Schaum

Polyurethaan schuim
Espuma de poliuretano



Recliner armchair with dual motors power lift
Fauteuil releveur avec bi-motors

Poltrona reclinabile lift be-motore
Relaxsessel 2-motorisch mit Aufstehhilfe

Relaxfauteuil 2-motorig met sta-op hulp
Sillón relax de 2 motores con función elevadora

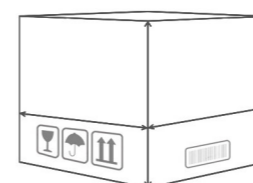


Fabric Mozart 100% polyester
Tissu Mozart, 100% polyester

Tessuto Mozart. 100% polyester
Mozart-Stoff, 100% Polyester

Stof Mozart, 100% polyester
Tela Mozart, 100% poliéster

COLLI 1/1



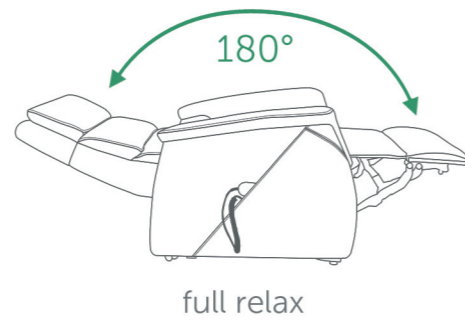
N.W.: 49,5 KG
G.W.: 56 KG
CBM.: 0,40 m³
77 cm x 78 cm x 66 cm (LxWxH)

MILO

lift chair




FUNCTIONS



COLORS

mozart 

FX007 marble grey 



PROGETTO[®]
RELAX